

MINASEC-U

Rev: 1.1

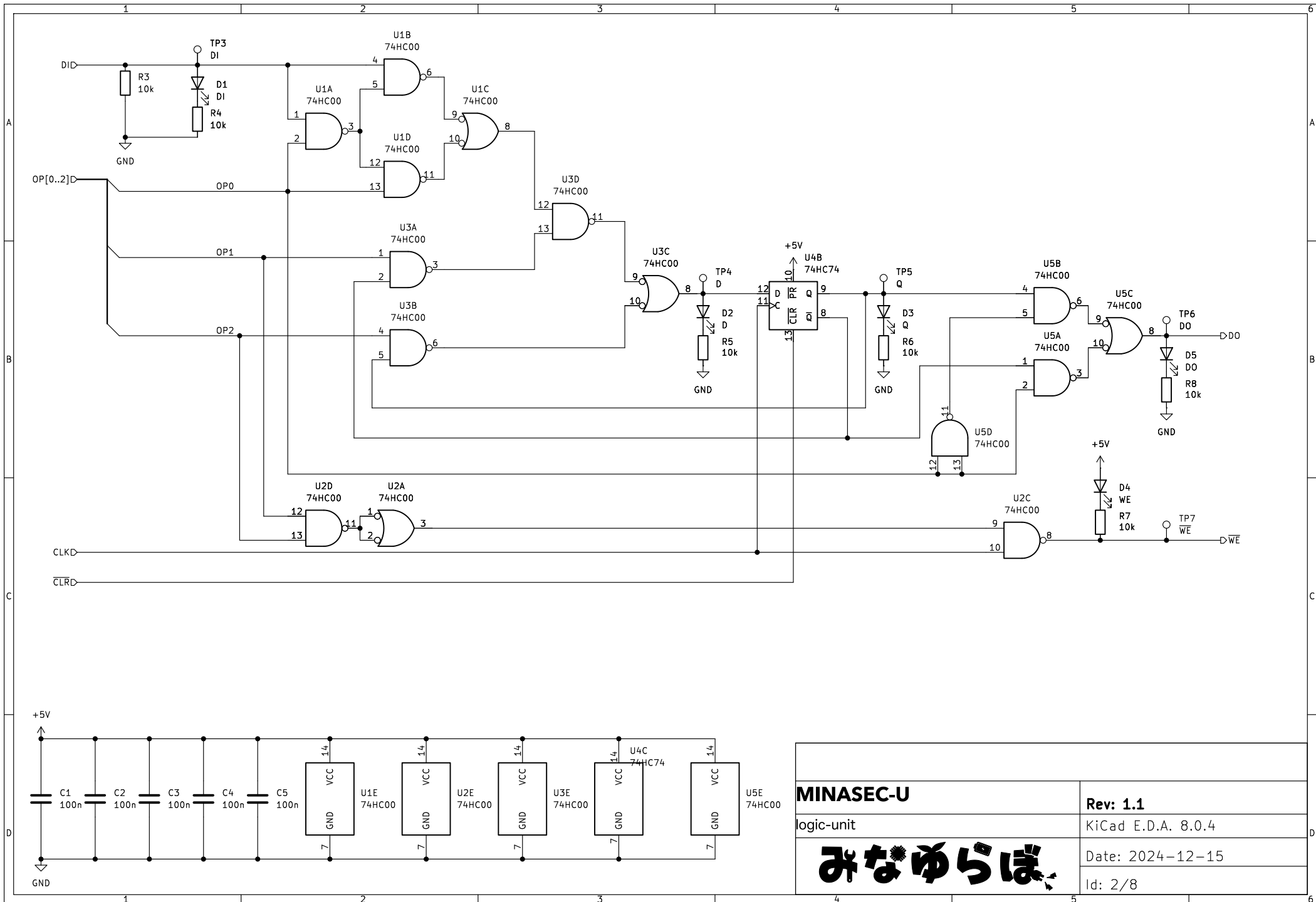
ルート

KiCad E.D.A. 8.0.4

みなゆらぼ

Date: 2024-12-15

Id: 1/8



MINASEC-U

logic-unit

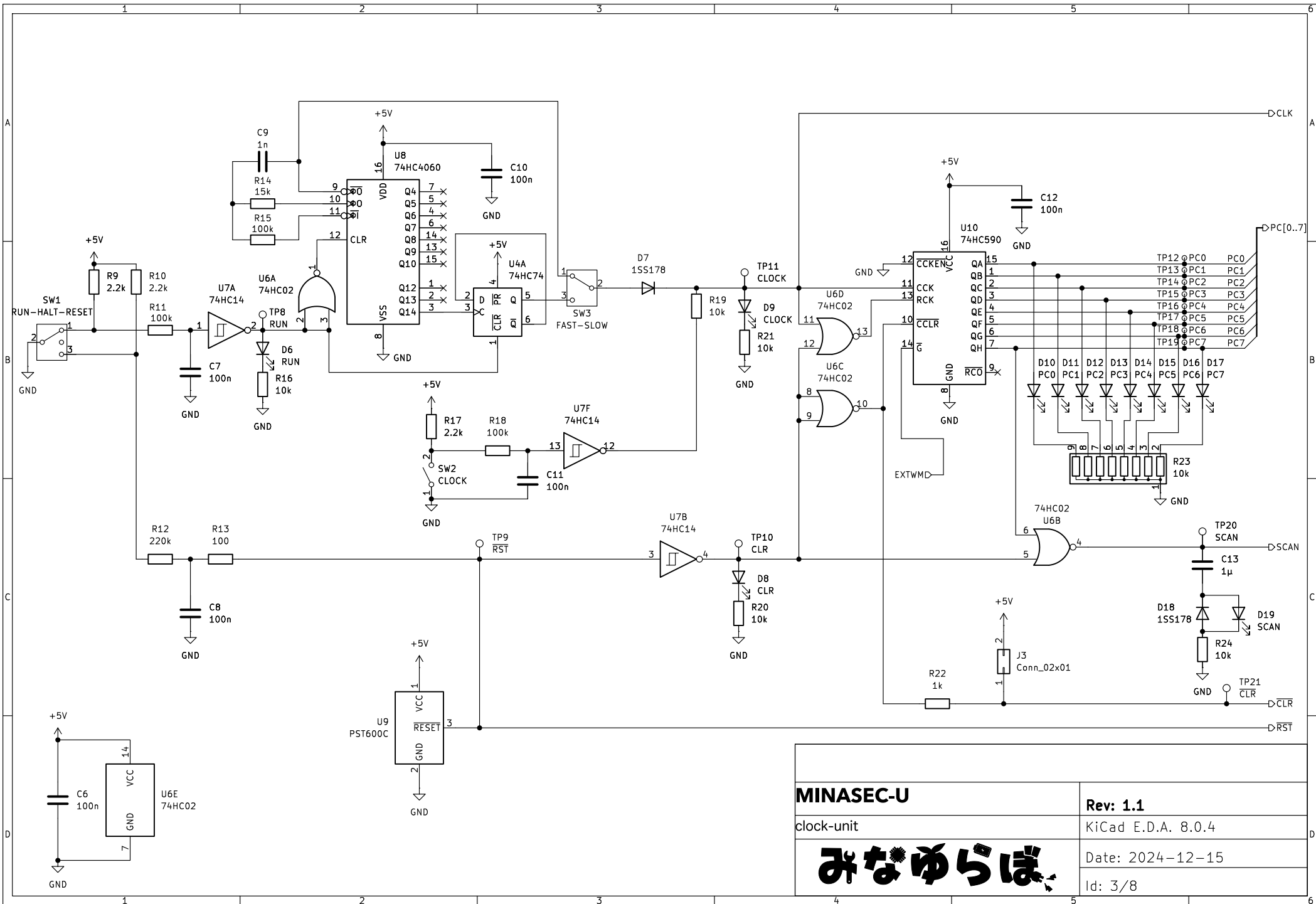
みなゆらぼ

Rev: 1.1

KiCad E.D.A. 8.0.4

Date: 2024-12-15

Id: 2/8



MINASEC-U

clock-unit

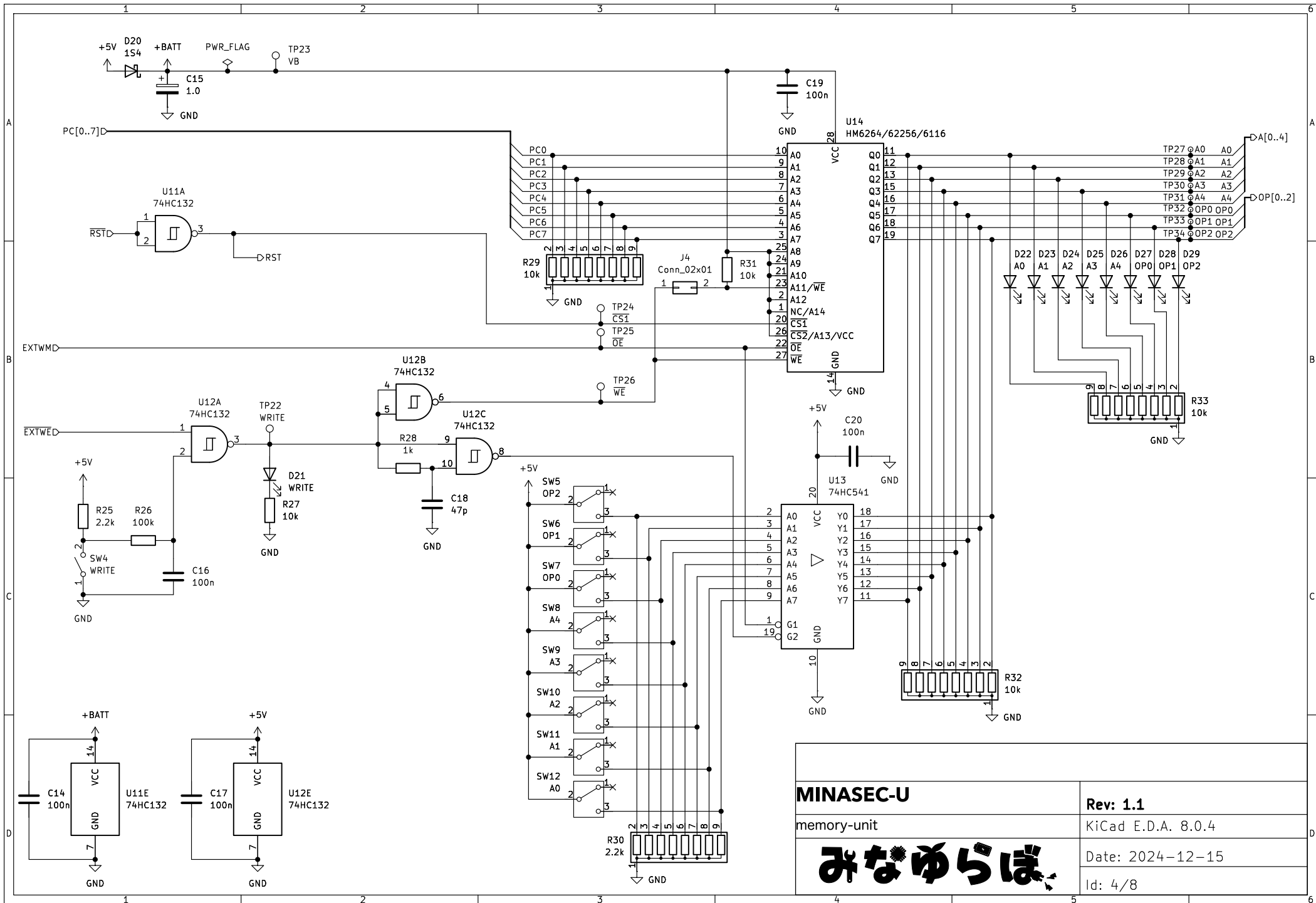


Rev: 1.1

KiCad E.D.A. 8.0.4

Date: 2024-12-15

Id: 3/8



MINASEC-U

memory-unit

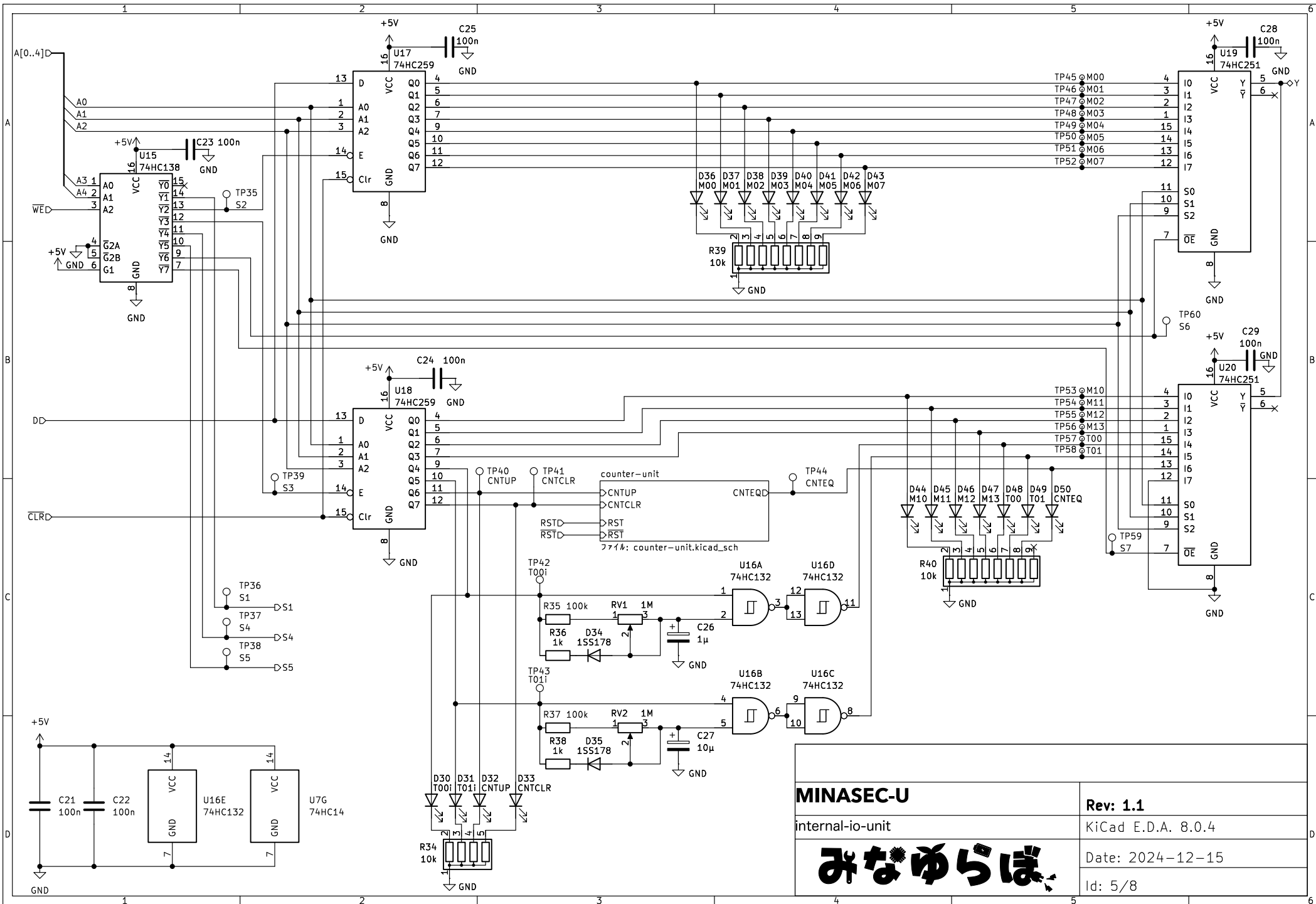


Rev: 1.1

KiCad E.D.A. 8.0.4

Date: 2024-12-15

Id: 4/8



MINASEC-U

internal-io-unit

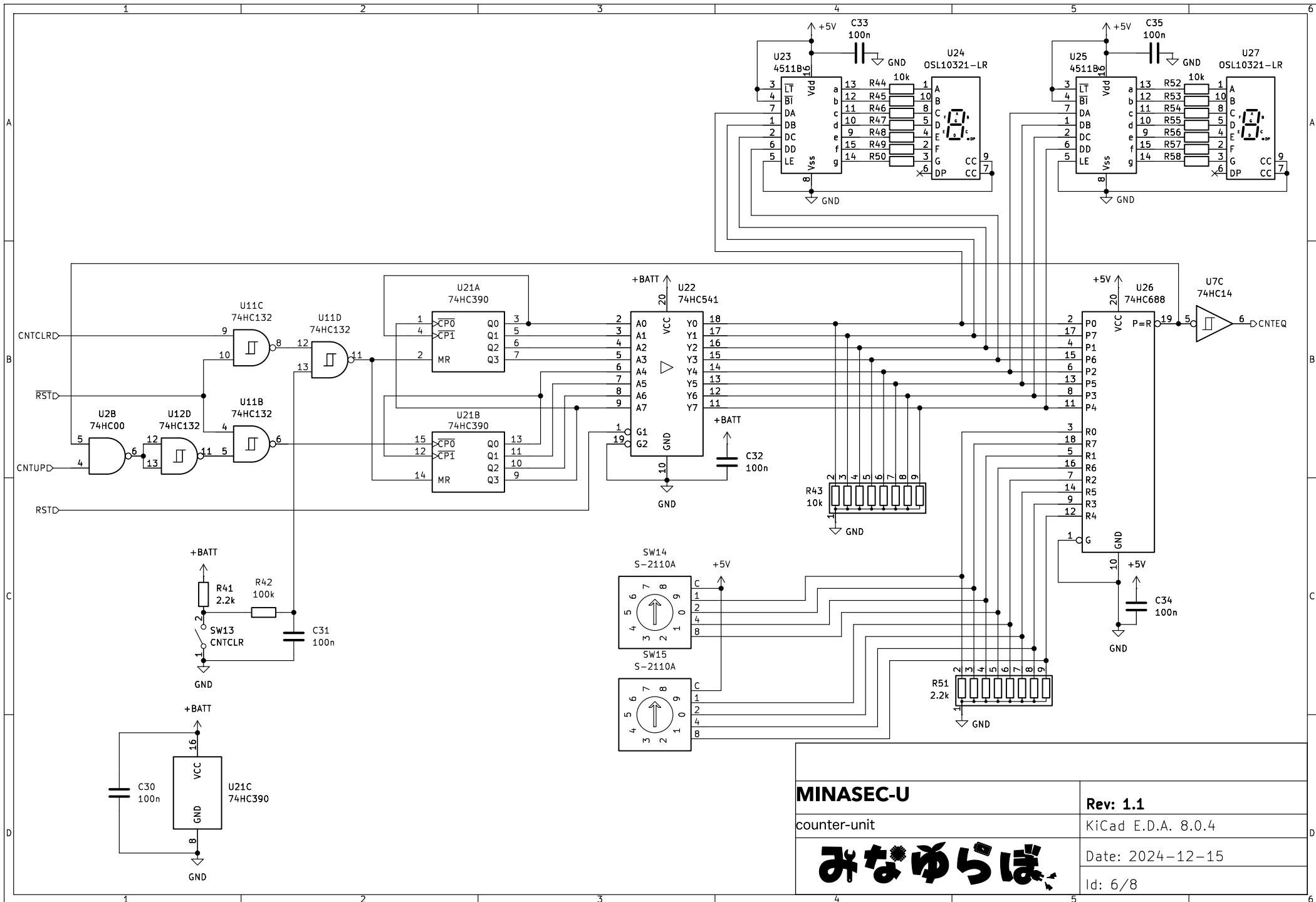


Rev: 1.1

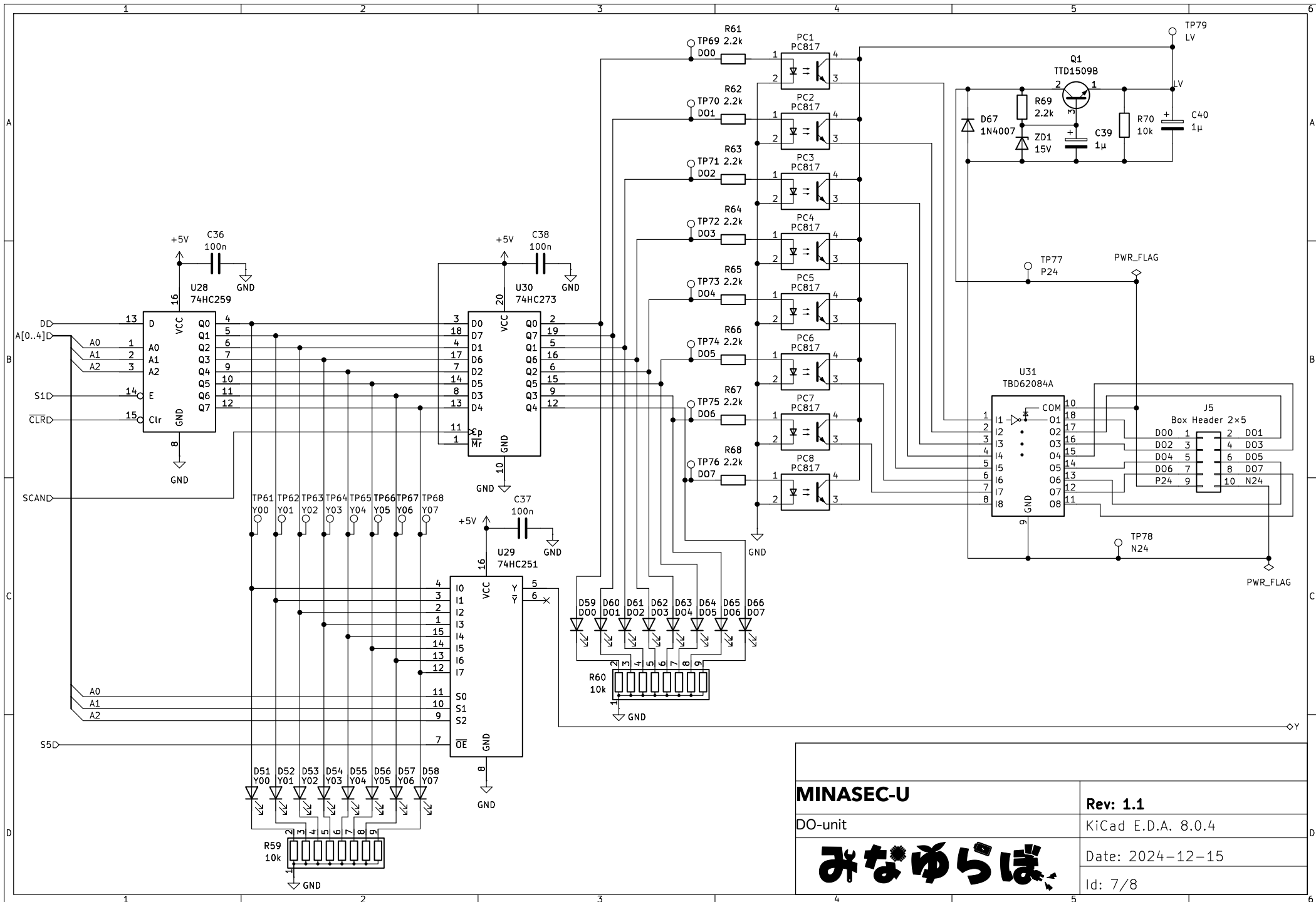
KiCad E.D.A. 8.0.4

Date: 2024-12-15

Id: 5/8



MINASEC-U	Rev: 1.1
counter-unit	KiCad E.D.A. 8.0.4
みなゆらぼ	Date: 2024-12-15
	Id: 6/8



MINASEC-U

DO-unit

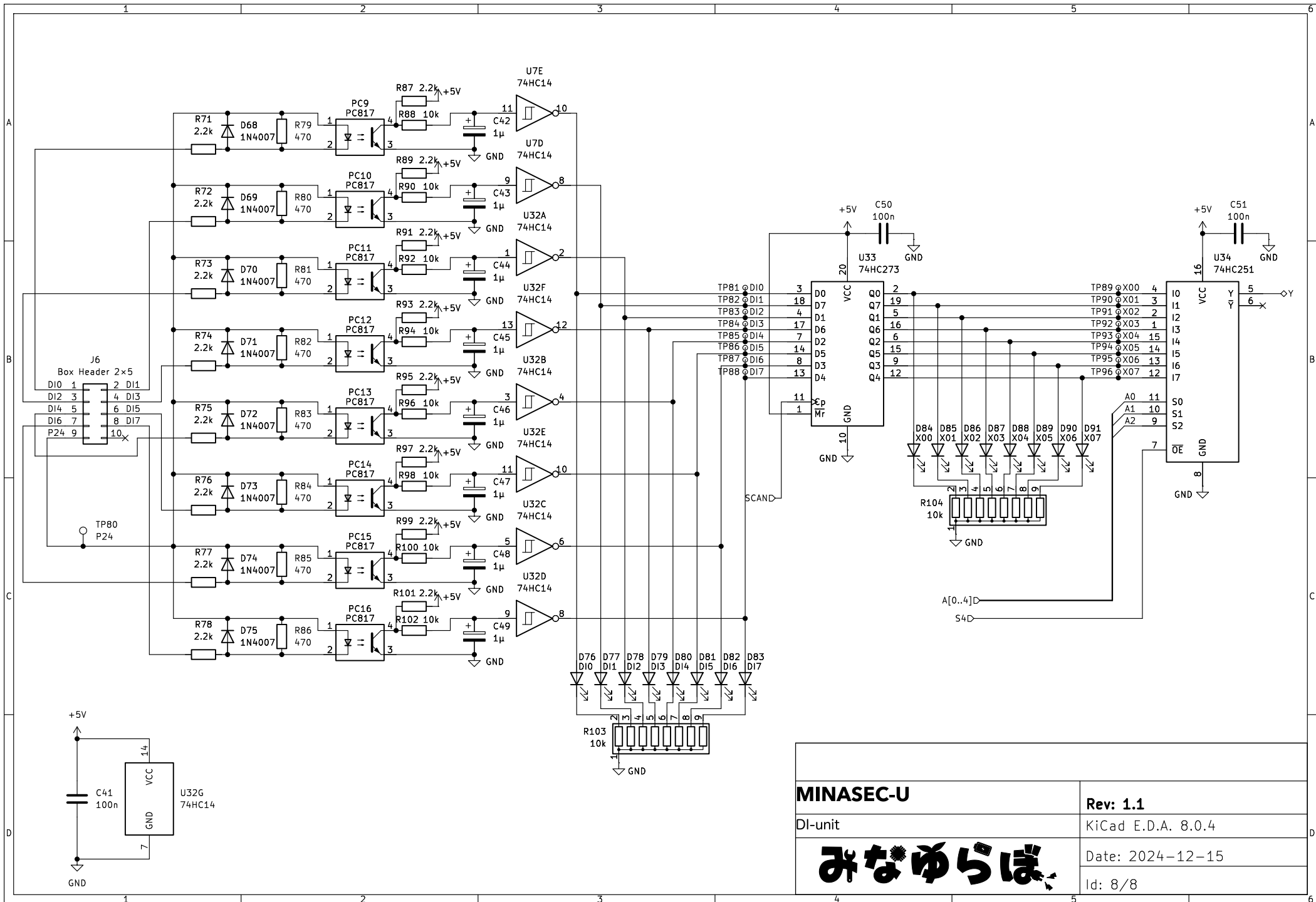


Rev: 1.1

KiCad E.D.A. 8.0.4

Date: 2024-12-15

Id: 7/8



MINASEC-U

Rev: 1.1

DI-unit

KiCad E.D.A. 8.0.4

みなゆらば

Date: 2024-12-15

Id: 8/8